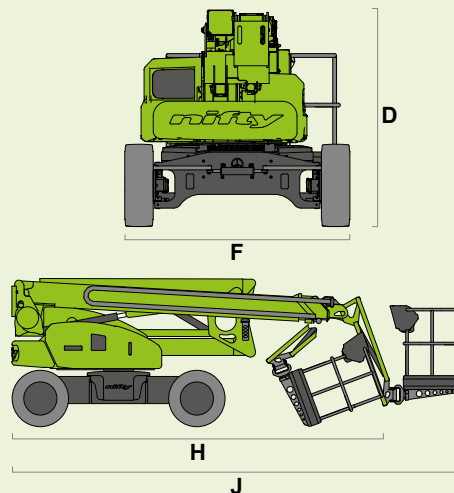
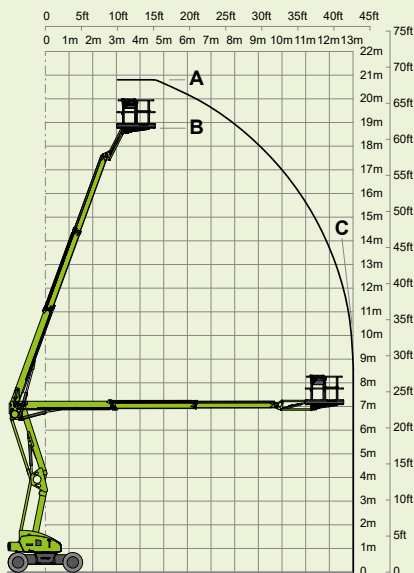


# niftylift

# HR21 4x4



- (A) 20.8m / 68ft 6in
- (B) 18.8m / 62ft
- (C) 13m / 42ft 8in
- 250kg / 550lbs
- 1.8m x 0.8m / 5ft 11in x 2ft 8in
- 150°
- 160°
- (D) 2.18m / 7ft 2in
- (F) 2.27m / 7ft 5in
- (H) 5.47m / 17ft 11in
- (J) 6.62m / 22ft
- 6km/h / 3.7mph
- 3.89m / 12ft 9in
- 45% / 24°

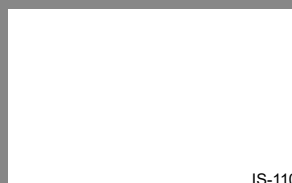


**SiOPS® toughcage**      **Niftylink® Gen<sup>2</sup> Hybrid**

## niftylift

Chalkdell Drive, Shenley Wood,  
Milton Keynes, MK5 6GF  
England, United Kingdom  
☎ +44 1908 223456  
✉ sales@niftylift.com  
🌐 www.niftylift.com

ISO 9001	ISO 14001	ISO 45001
QUALITY MANAGEMENT	ENVIRONMENTAL MANAGEMENT	HEALTH & SAFETY MANAGEMENT



IS-110

6680kg / 14730lbs



**Hybrid<sup>2</sup>**