

SPIERINGS KRANEN

Mark: **SPIERINGS** Type: **SK488-AT4**

Crane identification

Serial number:		Crane group : 3 as per NEN 2018	Identification-number	Max. load	Max. radius with max. load	Max. capacity	Max. jib length
Year of construction:		Loadspectrum : 2 as per NEN 2018	93 tm	8,0 tonne	12,76 m	102 tm	40m
		Classification : A as per NEN 2018					
		Stability : as per NEN 2022					

Speeds

Jib horizontal / jib 30° luffed

	m/min	kg
	18	8000
	27	4000
	40	2000
	75	0

0 - 70 m/min

0-0,9 rpm

All motions with hydraulic proportional controls

Luffing the jib 30° can be controlled from crane cab or via remote control

Driving with erected lower and jib, only with the jib horizontal and positioned over the front carriage, platform locked to the carrier and the outriggers fully extended (max. inclination 2°)

Rated lifting capacity is net capacity

Crane equipped with full counterweight: 9300 kg

360° continuous slewing.

with outriggers out and down

2 Outriggers positions: 6,90 x 6,70 m

6,90 x 5,15 m

Operation allowed up to a windforce of 7

on the Beaufortscale. (wind speed 17 m/sec.)

Sail area of the load max. 1,0 m² / tonne at a

windforce of 7 on the Beaufortscale.

Operating temperature range from -15° to 40° C.

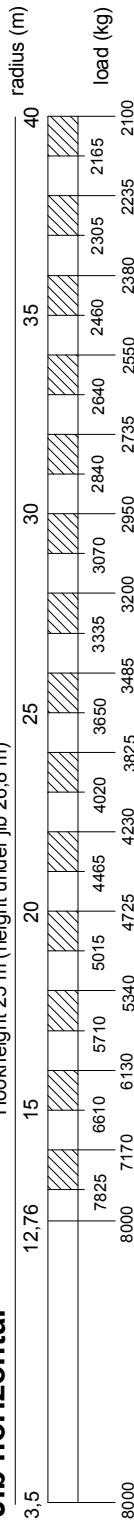
In all cases 2 parts of line

Max. line pull force 4000 kg

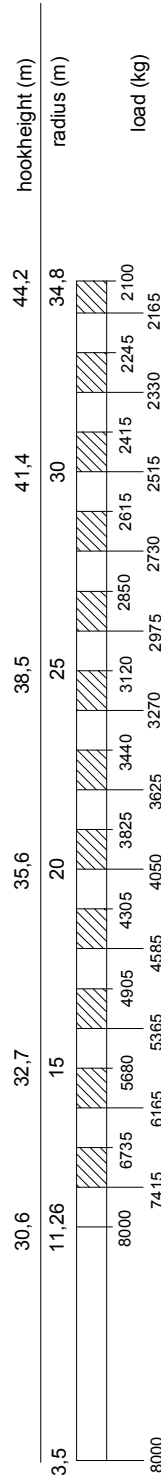
The crane should be folded in at a windforce >9 (21m/sec) or when not in use for a longer period

LIFTING CHART Outrigger spread 6,90 m x 6,70 m

Jib horizontal Hookheight 25 m (height under jib 26,8 m)

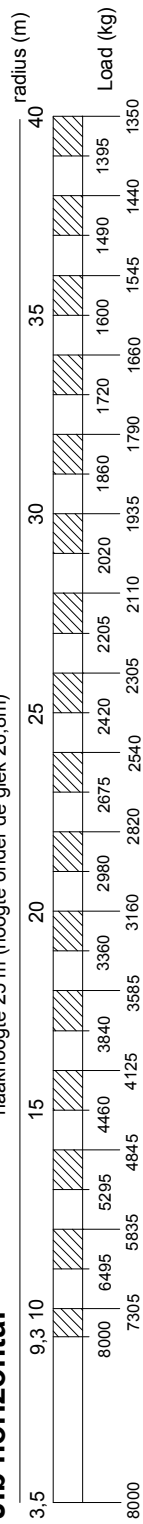


Jib 30° luffed

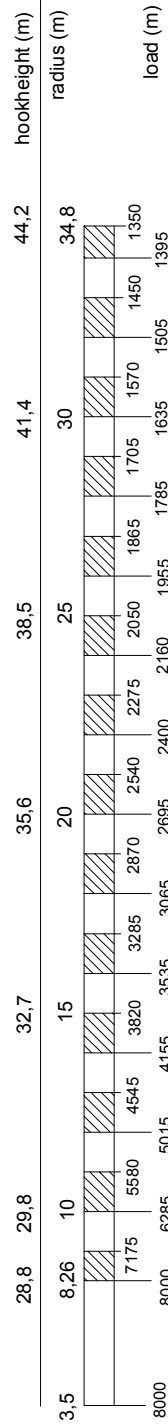


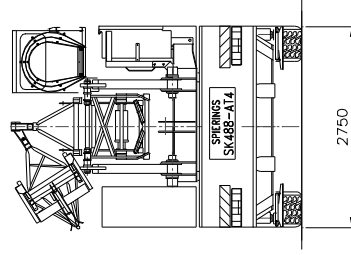
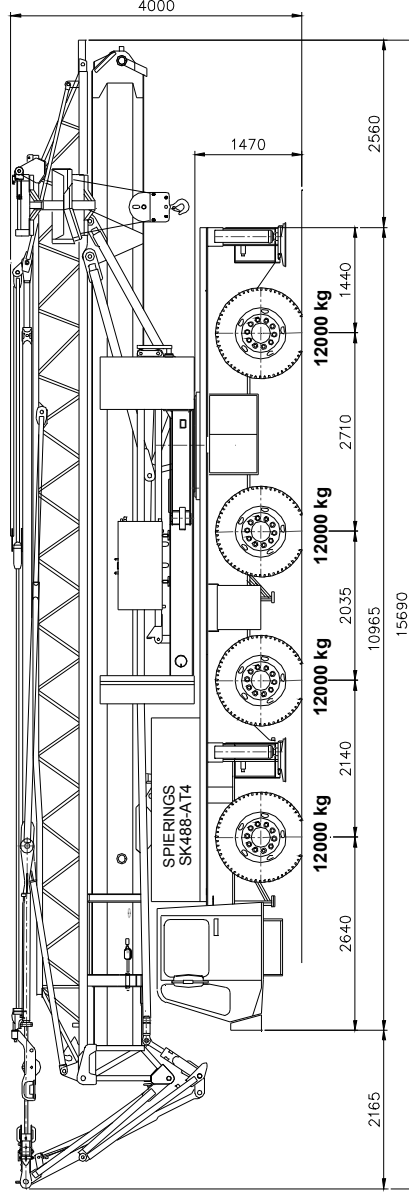
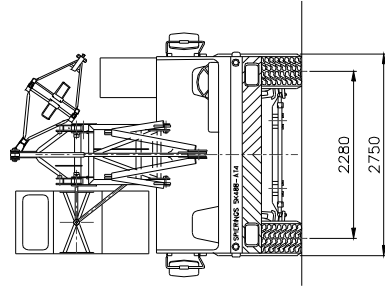
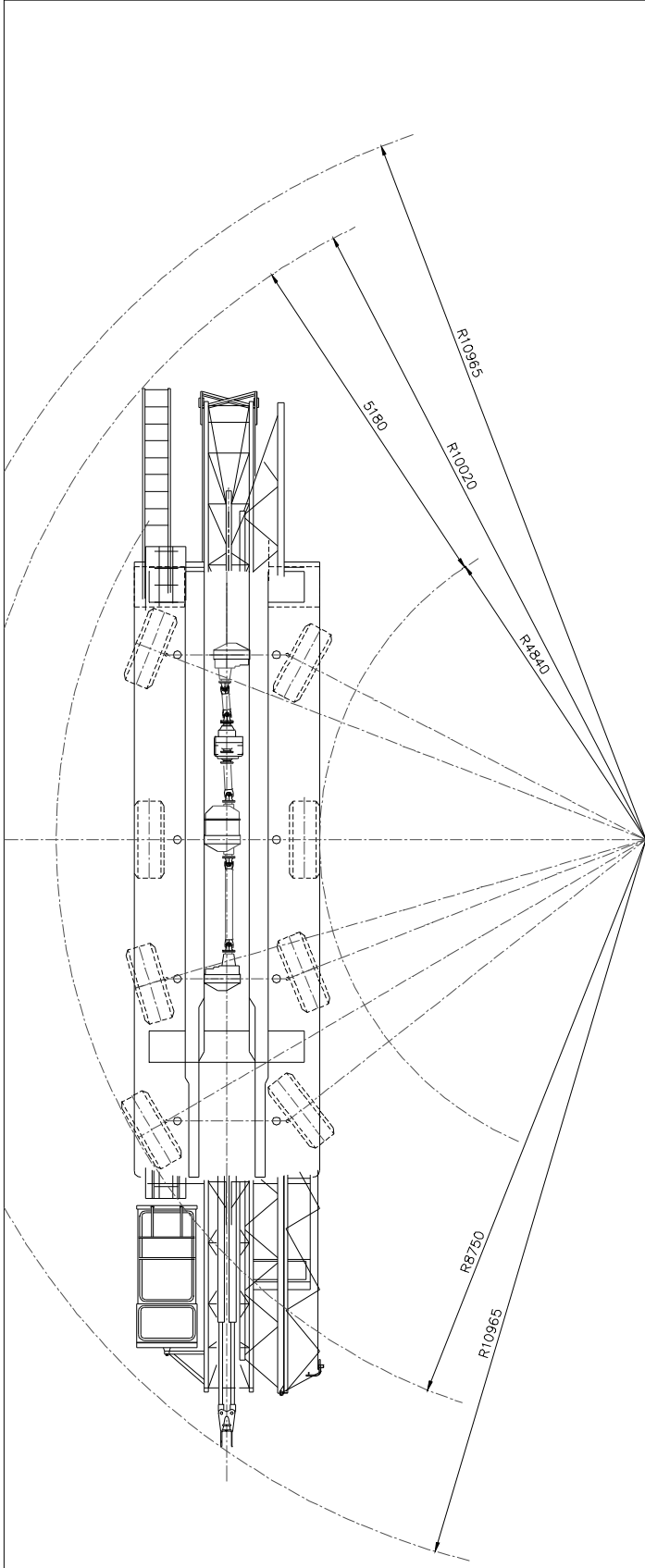
LIFTING CHART Outrigger spread 6,90 m x 5,15 m

Jib horizontal haakhoogte 25 m (hoogte onder de giek 26,8m)



Jib 30° luffed





SPIERINGS HYDRAULIC FOLDING CRANE

SK 488 - AT4


SPIERINGS KRANEN bv
 Merwedestraat 15
 5347 KZ Oss NL
 Tel. 04 12-626964
 Fax 0412-645299

Total weight: 4800 kg

SPIERINGS HYDRAULIC FOLDING CRANE SK 488 - AT4



Menvedestraat 15
5347 KZ Oss NL
Tel. (31) 412 626964
Fax (31) 412 645299

